

# CHAMPTEK<sup>®</sup>

## LG-100

Handheld Compact Laser Bar Code Scanner



### Introduction

LG100 is a well-designed compact size, economical gun type handheld laser scanner which preserves the characteristics of previous product line with " high performance and most cost effective solution" in the market.

Speaking of performance, comes with reading range up to 300 mm for the majority of 1D bar codes and GS1 DataBar™ codes. With its built-in automatically turn off reading and switch on reading as it sense a bar code moving in front of it, can extend its lifespan, integrated with unique software program, ISP function, equipped with detachable cable and is available for multiple interface, RS232, Keyboard wedge and USB interfaces, so there is always a solution to connect the LG100 to your POS system.

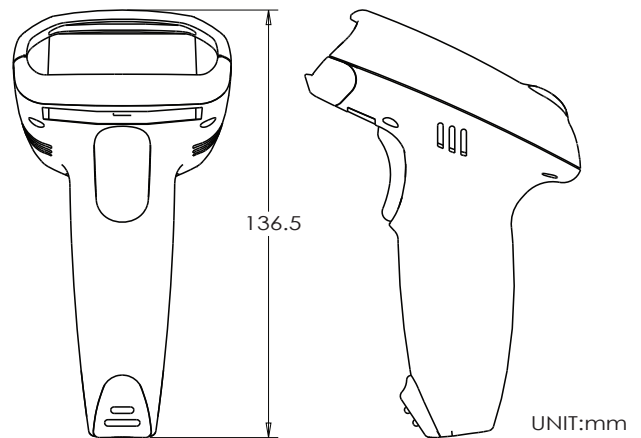
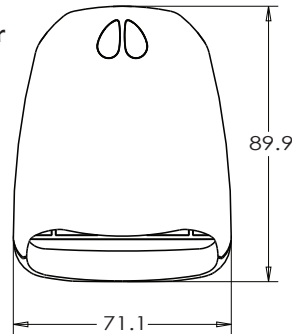
This scanner is the best choice for retailers using POS or regular cash register system. A stand option can be ordered to facilitate hand-free reading options.

**CHAMPTEK<sup>®</sup>**  
*We value your ID's*

[www.champtek.com](http://www.champtek.com)

## Features

- Compact size yet high performance
- Reads most commonly used bar code symbologies and GS1 DataBar
- USB / RS232 / Keyboard Wedge interfaces built into one unit
- User-replaceable, single cable interface to host
- Complete data formatting and editing capabilities
- Easy to program using bar codes



## Specifications

### Physical Characteristics

Depth	89.9 mm/ 3.54 inch
Width	71.1 mm/ 2.8 inch
Height	139.5 mm/ 5.49 inch
Weight	135 g
Color	Black/E-Color

### Electrical

DC input to scanner	+5 V DC, 250 mA
Power output	1.25 Watt @ +5 V DC

### Interfaces

RS232
KBW
USB (HID and COM port emulation)

### Scanner Characteristics

Light source	650 nm visible laser diode
Depth of field	300mm @ 20mil/0.5mm, PCS 90%
Scan rate	50 scans per second ±5%
Resolution	4 mil/ 0.1mm@PCS 90%
Light level	Up to 5,000 Lux.

### Barcode types

EAN/UPC/JAN + Add-on, ISBN, Code 128, EAN 128, Code 93, Code 39, Code 32, Codabar, Interleaved 2 of 5, MSI – Plessey, GS1 DataBar, Industrial 25, Matrix 25, Telepen.

### Operational

Interfaces	RS232, KBW, USB
Cable Length	Straight 5 ft.
Connector	RJ45 phone jack connector
Reading Indicator	Beep and LED (Good read red)

### Environmental

Operating Temp	0°C ~ 50°C
Storage Temp	- 20°C ~ 70°C
Humidity	20% ~ 95% RH (non – condensing)
MTBF	Calculated 40,000 hours

### Regularity of Compliance

CE, FCC and RoHs compliant

Due to Champtek's / Scantech ID's continuing product improvement programs, specifications and features are subject to change without notice.